



# HP LASERJET ENTERPRISE P3010 PRINTER SERIES

P3015n • P3015dn • P3015x

**This reliable, high-performance, networked<sup>1</sup> laser printer is ideal for businesses that need to print high volumes and confidential documents on a variety of media types.**

- Get print speeds up to 42 ppm and a fast first page out. Quickly process complex files.
- Secure all confidential and business-critical data. Ensure only authorized individuals have access by entering a private PIN at the 10-key pad.
- Extend capabilities with a memory slot and optional paper trays. Add HP or partner solutions via two internal accessory ports, an EIO slot, and a hardware integration pocket.
- Count on easy printer operation with features like walk-up USB printing.



## HP performance and durability

Enjoy print speeds up to 42 pages per minute (ppm), letter and a first page out in as fast as 7.5 seconds. Instant-on Technology provides up to a 50 percent energy savings over competitive laser products.<sup>2</sup>

Quickly process and share large, complex files with a 540 MHz processor, up to 640 MB expandable memory, and gigabit networking. Help prevent unauthorized network admission with 802.1X, which provides device authentication prior to admission.<sup>1</sup>

All-in-one Original HP print cartridges with built-in intelligence deliver reliable, consistently outstanding results, page after page, cartridge after cartridge. Get more out of each cartridge with the optional high-capacity toner cartridge.<sup>3</sup>

## Advanced security features

The printer includes a built-in hardware integration pocket (HIP) so you can connect and house your HP and partner security card swipe and authentication devices. Help secure data using IPsec with encryption accelerator assist, along with support for IPv4 and IPv6 protocols.<sup>1</sup> Retrieve confidential print jobs by entering your PIN using the 10-number key pad.

Store data more securely by adding the optional HP High-Performance Secure EIO Hard Disk. Its advanced security features protect sensitive data at rest on your HP printer—all without impacting device performance.<sup>3</sup>

## Flexibility to expand

Extend your printer's capabilities to meet your business needs with an open EIO slot and two internal accessory ports. Plus, add up to 512 MB memory.

Improve productivity with a maximum input capacity of up to 1,600 sheets.<sup>1</sup> Easily print on different types and sizes of media—including labels, envelopes, transparencies, and card stock—with adjustable paper trays. The printer supports letter and legal sizes from all trays. Choose the optional 500-sheet paper tray for added flexibility.<sup>3</sup>

## ecoHIGHLIGHTS

### HP LaserJet Enterprise P3010 Printer

#### ECO INFORMATION

- Reduce energy use up to 50 percent with Instant-on Technology<sup>2</sup>
- Reduce paper by up to 50 percent using automatic two-sided printing
- Free, convenient cartridge recycling in over 47 countries



ENERGY STAR® Qualified Product

HP LaserJet P3015n Printer is not ENERGY STAR® compliant

[www.hp.com/ecosolutions](http://www.hp.com/ecosolutions)

Please recycle your computing hardware and printing supplies. HP asset management and recycling services make responsible disposal easy.



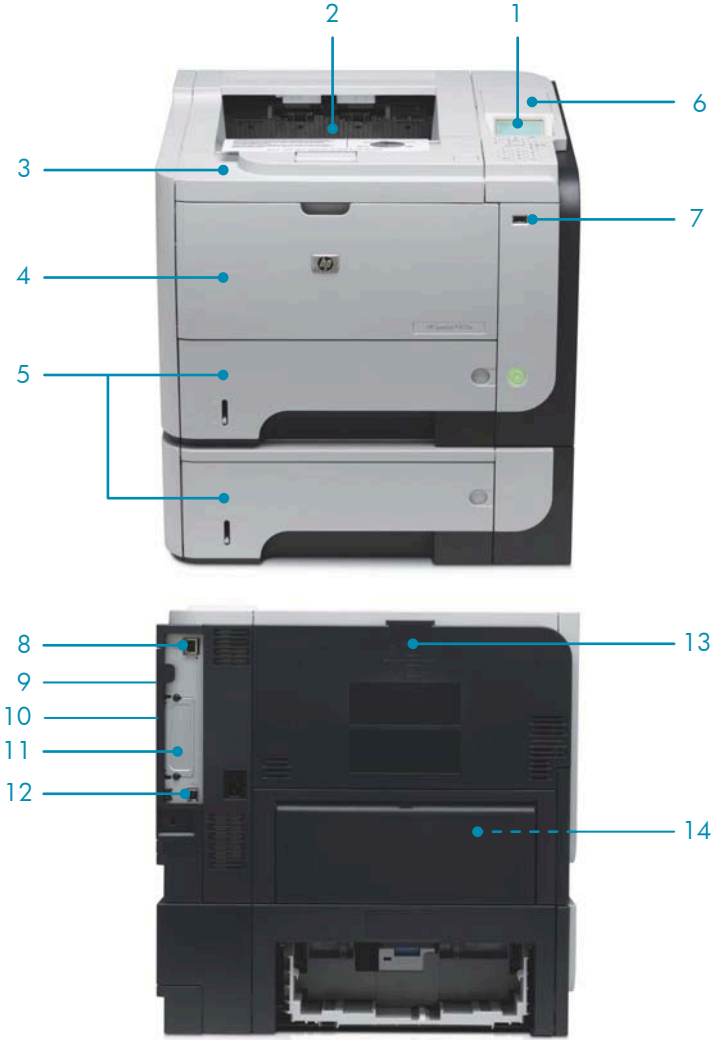
<sup>1</sup> Standard and optional features vary by model. Please see "Series at a glance" on page 2 for more information.

<sup>2</sup> Results are based on internal HP testing using the ENERGY STAR® program's Typical Electricity Consumption (TEC) method. Test data was extended to one year. Testing was on a single unit of each product. Individual product configuration will affect power consumption.

<sup>3</sup> Not included, please purchase separately.

HP LaserJet Enterprise P3015x Printer shown

- 1 Intuitive control panel with four-line LCD display, 10-number key pad, and **Show-Me-How** menu
- 2 250-sheet top output bin
- 3 One-door access to the easy-to-install print cartridge
- 4 100-sheet multipurpose tray handles a variety of special papers
- 5 Two 500-sheet input trays for a 1,100-sheet total input capacity
- 6 Hardware integration pocket for connecting optional HP and partner solutions
- 7 Host USB 2.0 port for walk-up USB printing<sup>4</sup>
- 8 HP Jetdirect 10/100/1000 Ethernet embedded print server
- 9 128 MB memory expandable to 640 MB, and a 540 MHz processor
- 10 Two internal accessory ports for connecting HP or partner solutions
- 11 One open EIO slot
- 12 Hi-Speed USB 2.0 port for direct connection to printer
- 13 100-sheet straight-through path supports special papers
- 14 Built-in automatic two-sided printing



Series at a glance



P3015n Printer



P3015dn Printer



P3015x Printer

	CE527A	CE528A	CE529A
<b>Part number</b>	CE527A	CE528A	CE529A
<b>Control panel</b>	4-line LCD display, 10-key pad	4-line LCD display, 10-key pad	4-line LCD display, 10-key pad
<b>Hardware integration pocket</b>	√	√	√
<b>100-sheet multipurpose tray 1, 500-sheet tray 2</b>	√	√	√
<b>500-sheet tray 3</b>	Optional	Optional	√
<b>500-sheet tray 4</b>	Optional	Optional	Optional
<b>HP Jetdirect 10/100/1000 Ethernet print server</b>	Embedded	Embedded	Embedded
<b>Automatic two-sided printing</b>	No	√	√
<b>Memory</b>	128 MB (expandable up to 640 MB)	128 MB (expandable up to 640 MB)	128 MB (expandable up to 640 MB)
<b>ENERGY STAR qualified</b>	No	√	√

<sup>4</sup> Compatible with most USB 2.0 certified, 128 MB to 2 GB NAND Flash Memory Devices.

After 25 years of **CONTINUOUS INNOVATION** and reliable, professional-quality printing, HP LaserJet remains the brand businesses count on.

### Easy to use and manage

Use the printer's front-panel host USB 2.0 port to get convenient, walk-up USB printing that supports common PDF, PRN, and PS file extensions. Reduce calls to IT with features like the four-line LCD control panel and the **Show-Me-How** menu. Easy-to-use, advanced, larger controls visually walk users through procedures, setup, and troubleshooting.

Increase your manageability even further—use the two internal accessory ports to add any of a full portfolio of innovative HP Certified Partner solutions that integrate easily into your existing infrastructure (for more information, visit [www.hp.com/go/gsc](http://www.hp.com/go/gsc)).

Easily set up and manage your print fleet with industry-leading HP Web Jetadmin and the HP Universal Print Driver. These solutions allow you to install, configure, monitor, troubleshoot, and manage your printing devices from anywhere on the network.<sup>5</sup>

Enjoy hassle-free recycling—cartridges returned via HP Planet Partners are recycled responsibly. HP provides free postage for returning HP print cartridges, the ability to request pickup for used computer equipment, the flexibility to recycle many types of technology products, and more.<sup>6</sup>

## Get the most out of your printer with HP accessories, supplies, and services.

### 500-sheet Input Tray/Feeder

Improve productivity by increasing total input capacity to up to 1,600 sheets. Print on a range of paper types in sizes from 4.1 by 5.8 in to 8.5 by 14 in, while decreasing time spent loading paper.



CE530A

### HP Services

Because downtime can have serious business consequences, HP provides high-quality services that extend beyond the standard warranty and help you avoid unbudgeted repair costs. Benefits include reduced printing and infrastructure costs, maximized uptime, expert technical phone support, and predictable, consistent service delivery—even across multiple locations.

Recommended services:

- **Installation Service with Network Setup:** expert assembly of HP accessories, hardware verification, network configuration, and basic administrator familiarization
- **Next Day Onsite Service:** HP-employed service engineer or authorized support provider delivers service the next day after your call has been logged
- **Next Day Exchange Service:** The printer is replaced the day after it goes down with door-to-door pick-up and delivery

These services and additional coverage options can be purchased as:

- **HP Care Pack Services:** easy-to-buy, easy-to-use support packages
- **HP Contractual Services:** a comprehensive portfolio for maintaining maximum IT availability

HP also offers **HP Managed Print Services:** scalable assessment, procurement, implementation, management, maintenance, support, and workflow services.

For more information visit: [www.hp.com/go/printservices](http://www.hp.com/go/printservices).

### Supplies

HP LaserJet Black Print Cartridge <sup>7</sup>	CE255A
HP LaserJet Black Print Cartridge (high-capacity) <sup>7</sup>	CE255X

### Accessories

500-sheet Input Tray/Feeder	CE530A
HP Hardware Integration Pocket Cable	CE981A

### Memory/storage

HP 64 MB, 144-pin x32 DDR2 DIMM	CC413A
HP 128 MB, 144-pin x32 DDR2 DIMM	CC414A
HP 256 MB, 144-pin x32 DDR2 DIMM	CC415A
HP 512 MB, 144-pin x32 DDR2 DIMM	CE483A
HP Secure High-performance EIO Hard Disk	J8019A

### Connectivity

HP Jetdirect 635n IPv6/IPsec Internal Print Server	J7961G
HP Jetdirect 690n IPv6/IPsec 802.11g Wireless Print Server	J8007G
HP Jetdirect ew2400 802.11g Wireless Print Server	J7951G
HP Jetdirect 620n Fast Ethernet Print Server	J7934G
HP 1284B Parallel Card	J7972G

(For more information, visit [www.hp.com/go/jetdirect](http://www.hp.com/go/jetdirect))

### Service and support

HP 3-year Next Business Day Exchange	UP871E
HP 3-year Next Business Day Onsite Service	UP872E
HP Installation Service with Network Setup	UC742E

### Paper

[www.hp.com/go/paper](http://www.hp.com/go/paper), 1-800-477-5010

### Solutions

[www.hp.com/go/gsc](http://www.hp.com/go/gsc)

### Fonts

HP BarCodes & More	
HP Scalable BarCode Font Set	HG281US
HP BarCodes Printing Solution	HG282UT
HP MICR Font Solution	HG271US
(HP LaserJet Fonts and IPDS Emulation available at: <a href="http://www.hp.com/go/laserjetfonts">www.hp.com/go/laserjetfonts</a> )	HG283US

<sup>5</sup> Embedded networking available on the HP LaserJet Enterprise P3015dn and P3015x printer models only. Please see "Series at a glance" on page 2 for more information.

<sup>6</sup> Available in select countries. For more information, please visit [www.hp.com/recycle](http://www.hp.com/recycle).

<sup>7</sup> Average CE255A black cartridge yields 6,000 standard pages and average CE255X black cartridge yields 12,500 standard pages. Declared yield value in accordance with ISO/IEC 19752. Actual yields vary considerably based on images printed and other factors. For more information, visit [www.hp.com/go/learnaboutsupplies](http://www.hp.com/go/learnaboutsupplies).

# HP LASERJET ENTERPRISE P3010 PRINTER SERIES

Technical specifications	HP LaserJet P3015n Printer (CE527A)	HP LaserJet P3015dn Printer (CE528A)	HP LaserJet P3015x Printer (CE529A)
Print speed <sup>8</sup>	Up to 42 ppm, letter		
Document delivery speed	First page out: as fast as 7.5 seconds from Ready, as fast as 16 seconds from Sleep		
Print resolution	HP FastRes 1200, HP ProRes 1200; Up to 1200 by 1200 dpi		
Control panel	4-line LCD display, 3 LED indicator lights (Ready, Data, Attention), buttons (10 numeric keys, Information, Return, Stop/Cancel, OK, Toggle up/down)		
Processor	540 MHz		
Memory	128 MB, expandable to 640 MB		
Durability ratings	Recommended monthly volume: 1,500 to 5,000 pages; <sup>9</sup> Duty cycle: up to 100,000 pages <sup>10</sup>		
Paper Input	100-sheet multipurpose tray 1, 500-sheet tray 2 Optional 500-sheet trays 3 and 4		100-sheet multipurpose tray 1, 500-sheet tray 2, 500-sheet tray 3; Optional 500-sheet tray 4
Paper Output	250-sheet top output bin, 100-sheet rear output bin		
Two-sided printing	Manual	Automatic	
Media sizes	Tray 1: Letter, legal, executive; envelopes; custom sizes: 3 by 5 in to 8.5 by 14 in Trays 2 and 3: letter, legal, executive; custom sizes: 4.1 by 5.8 in to 8.5 by 14 in Automatic two-sided printing unit: letter, legal, executive (JIS)		
Media weights	Tray 1 (straight through paper path for special media): 16 to 53 lb bond Trays 2 and 3, Automatic two-sided printing unit: 16 to 32 lb bond		
Media types	Paper (bond, color, letterhead, plain, preprinted, prepunched, recycled, rough); envelopes; labels; cardstock; transparencies; user-defined		
Connectivity	HP Jetdirect 10/100/1000 Ethernet embedded print server, 1 front-panel Hi-Speed Host USB 2.0, 1 EIO slot, 1 Hi-Speed Device USB 2.0 for direct connection to printer, and 2 internal Host USB 2.0 for connecting HP or partner solutions		
Languages	HP PCL 5e, HP PCL 6, HP postscript level 3 emulation, direct PDF printing v1.4		
Fonts	PCL: 103 internal font set (plus Greek, Hebrew, Cyrillic, Arabic); PS: 93 internal font set (plus Greek, Hebrew, Cyrillic, Arabic). Additional Font Solutions available at <a href="http://www.hp.com/go/laserjetfonts">http://www.hp.com/go/laserjetfonts</a>		
Client operating systems	Microsoft® Windows® 2000 (SP4), XP® Home, XP Professional, Vista®, Vista x64, Server 2003, Server 2008; Mac OS X v10.4 or higher; Novell NetWare; Red Hat Linux 7.x or higher; SuSE Linux 8.x or higher		
Network operating systems	Microsoft Windows 2000, Server 2003, Server 2008, XP Home, XP Professional, Vista, 2003 64-bit, 2008 64-bit, XP 64-bit, Vista 64-bit (For IPv6 compatible with Windows 2003, XP, Vista, and Server 2008); Novell 5.1 or higher; Mac OS X v10.2, v10.3, v10.4 or higher; Red Hat Linux 7.x or higher; SuSE Linux 8.x or higher; HP-UX 10.20, 11.x, 11.i; Solaris 2.5 or higher (SPARC systems only); IBM AIX 3.2.5 or higher; MPE-iX; Citrix MetaFrame Server; Windows Terminal Services		
Network protocols	IPv4/IPv6: Apple Bonjour Compatible (Mac OS 10.2.4 and higher), SNMPv1/v2c/v3, HTTP, HTTPS, FTP, TFTP, Port 9100, LPD, WS Discovery, IPP, Secure-IPP, IPsec/Firewall; IPv6: DHCPv6, MLDv1, ICMPv6; IPv4: Auto-IP, SLP, Telnet, IGMPv2, BOOTP/DHCP, WINS, IP Direct Mode, WS Print Other: IPX/SPX, AppleTalk, NetWare NDS, Bindery, NDPs, iPrint		
Security	SNMPv3, SSL/TLS, 802.1X authentication (EAP-PEAP, EAP-TLS), IPP over TLS, IPsec/firewall with certificate, pre-shared key authentication, and Kerberos authentication. Support for WJA-10 IPsec configuration using IPsec plug-in.		
Dimensions (w by d by h)	17.6 by 16.2 by 12.4 in		17.6 by 16.2 by 18.9 in
Weight (without print cartridge)	35 lb		46.6 lb
What's in the box	Printer; power cord; HP LaserJet Black Print Cartridge, full capacity (~6000 pages); software and documentation on CD-ROM; Getting Started Guide; support flyer; Warranty Guide		
Also includes	HP Jetdirect 10/100/1000 Base-TX Ethernet embedded print server	Built-in automatic two-sided printing and HP Jetdirect 10/100/1000 Base-TX Ethernet embedded print server	HP Jetdirect 10/100/1000 Base-TX Ethernet embedded print server; 500-sheet input tray (tray 3)
Warranty	One-year, return to HP authorized service center warranty backed by HP Customer Care, service and support; one-year technical phone support		

<b>Environmental ranges</b>		<b>Power consumption</b> <sup>11</sup>	Active: 780 watts; Standby: 14.5 watts; Powersave: 8.5 watts; Off: 0.6 watts Typical Electricity Consumption (TEC): 3.267 kWh/Week Energy Star qualified models, see <a href="http://www.hp.com/go/energystar">www.hp.com/go/energystar</a>
Recommended temperature	59 to 89 degrees F	<b>Certifications</b>	
Storage temperature	-4 to 104 degrees F	Safety	IEC 60950-1 (International); IEC 60825-1+A1+A2; NRTL Listed (US/Canada); other safety approvals as required by individual countries
Recommended relative humidity	30 to 70 percent	EMC	CISPR 22: 2005/EN 55022: 2006 Class B, EN 61000-3-2: 2006, EN 61000-3-3: 1995+A1+A2, EN 55024: 1998+A1+A2, FCC Title 47 CFR, Part 15 Class B (USA), ICES-003, Issue 4, (Canada), other EMC approvals as required by individual countries
Storage relative humidity	10 to 90 percent		
Altitude	Up to 10,000 ft		
<b>Acoustics</b> <sup>12</sup>			
Sound power	Active: 6.8 B(A); Quiet Mode: 6.2 B(A); Ready: inaudible		
Bystander sound pressure	Active: 54 dB(A); Quiet Mode: 48 dB(A); Ready: inaudible		
<b>Power specifications</b>			
Required input voltage	100 to 127 V (±10 percent), 50/60 Hz (±2 Hz) 220 to 240 V (±10 percent), 50/60 Hz (±2 Hz)		Works with HP SureSupply. <sup>13</sup> To learn more, visit <a href="http://www.hp.com/go/SureSupply">www.hp.com/go/SureSupply</a>

<sup>8</sup> Exact speed varies depending on the system configuration, software application, and document complexity.

<sup>9</sup> HP recommends that the number of printed pages per month be within the stated range for optimum device performance, based on factors including supplies replacement intervals and device life over an extended warranty period.

<sup>10</sup> Duty cycle is defined as the maximum number of pages per month of imaged output. This value provides a comparison of product robustness in relation to other HP LaserJet or HP Color LaserJet devices, and enables appropriate deployment of printers and MFPs to satisfy the demands of connected individuals or groups.

<sup>11</sup> Values subject to change. Power numbers are the highest values measured using all standard voltages. See [www.hp.com/support](http://www.hp.com/support) for current information.

<sup>12</sup> Measured according to ISO 7779 and declared in accordance with ISO 9296; values are subject to change. For current information, see [www.hp.com/support](http://www.hp.com/support). Configuration tested: HP LaserJet P3015dn printing simplex on A4 paper.

<sup>13</sup> HP SureSupply alerts you when your print cartridge is running low and helps you purchase online or locally through HP or a participating retailer. Only available with Original HP supplies; Internet access required.



ENERGY STAR and the ENERGY STAR mark are registered U.S. marks. Linux is a U.S. registered trademark of Linus Torvalds. Microsoft, Windows, and Windows XP are registered trademarks of Microsoft Corporation. Windows Vista is either a registered trademark or trademark of Microsoft Corporation in the United States and/or other countries.

© Copyright 2009-2011 Hewlett-Packard Development Company, L.P.

The information contained herein is subject to change without notice. The only warranties for HP products and services are set forth in the express warranty statements accompanying such products and services. Nothing herein should be construed as constituting an additional warranty. HP shall not be liable for technical or editorial errors or omissions contained herein.

To learn more, visit [www.hp.com](http://www.hp.com)

4AA2-5002ENUC, May 2011, Rev. 6

